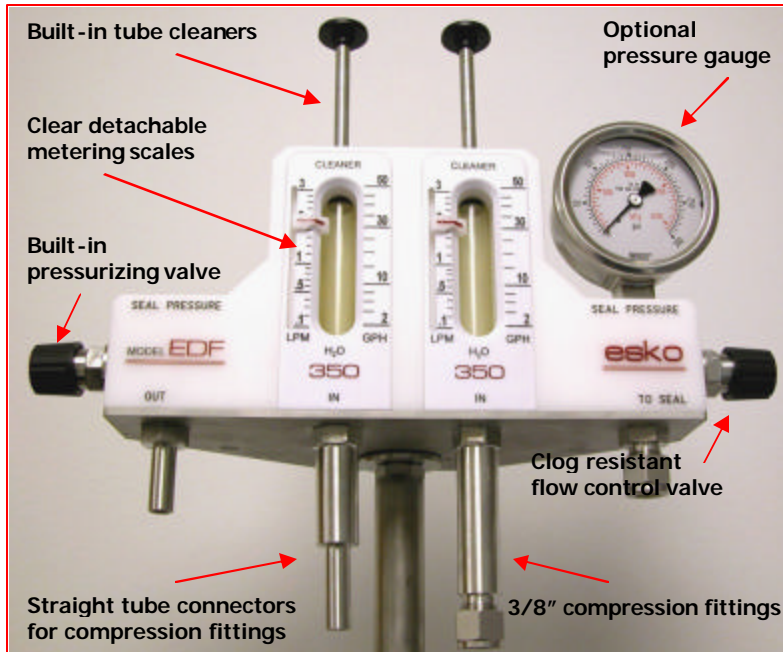


esko

Flowmeter Model EDF

Save resources and extend seal life. The Esko Dual Flow (EDF) flowmeter is the ideal partners for applications requiring uninterrupted seal water flow for cooling and lubrication. The model is compatible with all seal types. Modular construction and various options make this flowmeter flexible and versatile.



Applications

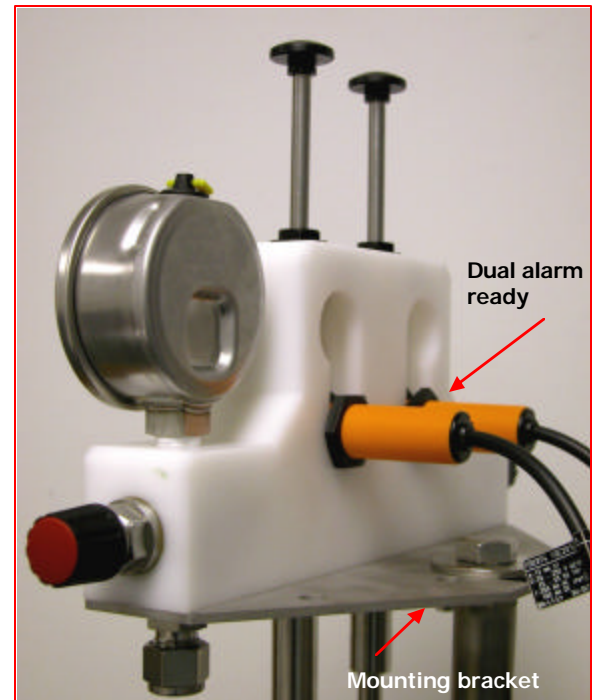
- Seal flush systems
- Single and double mechanical seals
- Gland packings

Options

- Glass tube
- Inductive adjustable alarm
- Pressure gauge
- Floor mounting stand
- Hose barb connectors, straight tube connectors for compression fittings or 3/8" compression fittings

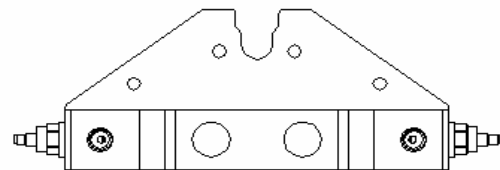
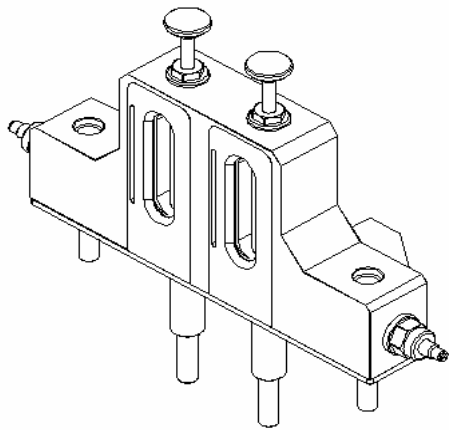
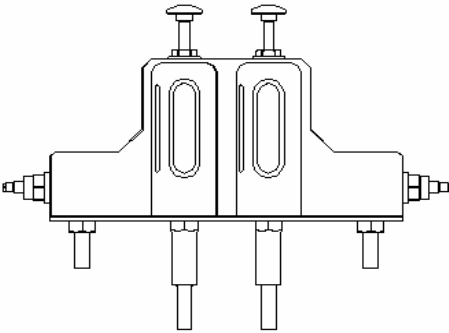
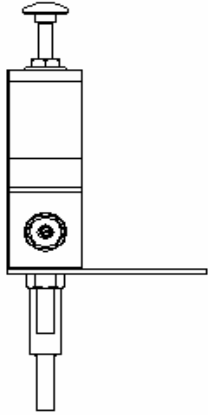
Features

- Reliable operation
- Solid construction
- Excellent corrosion and heat resistance
- Clear DETACHABLE metering scale
- Built-in pressurizing valve
- Alarm ready
- Clog resistant flow control valve
- 3 connector options
- Mounting bracket
- Built-in tube cleaner
- PSU (polysulphone) tube
- Easy access to the flowmeter fittings as all connectors are in a straight line



Technical Specifications

Body	POM (standard) or Kynar (option K)
Metering tube	Polysulphone (PSU)
Metallic parts	AISI 316 and AISI 329
Seals	Viton
Max. pressure	435 psi @ 120°F
Max. temperature	POM body/PSU tube: 212°F (100°C) Kynar body/PSU tube: 266°F
Connection	Standard 3/8" ID hose, optional 3/8" OD tube (for compression fitting)
Weight	5 lbs / 2.3 kg c/w pressure gauge, all fittings and packaging



EDF		SINGLE FLOWMONITOR	
	350	-	3LPM 50USGPH
	120	-	1LPM 20USGPH
	1335	-	13LPM 3.5USGPM
	82	-	8LPM 2USGPM
Body material	P		POM BODY MATERIAL STANDAR D
	K		KYNAR BODY MATERIAL
	H		3/8"ID HOSEBARB
	T		3/8" TUBE COMPRESSION FITTING
	S		3/8"OD STRAIGHT TUBE
Pressure gauge	X		NO PRESSURE GAUGE
	A		15PSI PRESSURE GAUGE
	B		30PSI
	C		60PSI
	D		100PSI
	E		160PSI STANDARD
	F		200PSI
	G		300PSI
	H		400PSI
	I		100PSI WITH RED SET POINTER
	J		160PSI WITH RED SET POINTER
	K		200PSI WITH RED SET POINTER
	L		300PSI WITH RED SET POINTER
	M		400PSI WITH RED SET POINTER
Pressurizing valve	X		NO PRESSURIZING VALVE
	P		PRESSURIZING VALVE (FOR double seal with ESF MODEL)
	X		NO STAND
	S		STAND
Alarm	X		NO ALARM
	A		ALARM 10-55VDC 150mA
	B		ALARM 20-250VAC/DC 300mA
OPTIONAL SEAL KIT ITEMS			
	X		NO FITTING
	A		1/4"NPT X 3/8"ID HOSEBARB (AD1/4N3/8H)
	B		3/8"NPT X 3/8"ID HOSEBARB (AD3/8N3/8H)
	C		1/2"NPT X 3/8"ID HOSEBARB (AD1/2N3/8H)
	D		1/4"R X 3/8"ID HOSEBARB (AD1/4R3/8H)
	E		3/8"R X 3/8"ID HOSEBARB (AD3/8R3/8H)
	F		1/2"R X 3/8"ID HOSEBARB (AD1/2R3/8H)
	X		NO HOSE
	1		QTY (1) 5 FOOT LENGTH HOSE C/W SS HOSE BARB CLAMPS (HO3/8X300X5)
	2		QTY (2) 5 FOOT LENGTH HOSE C/W SS HOSE BARB CLAMPS (HO3/8X300X5)
	3		QTY (3) 5 FOOT LENGTH HOSE C/W SS HOSE BARB CLAMPS (HO3/8X300X5)
	4		QTY (4) 5 FOOT LENGTH HOSE C/W SS HOSE BARB CLAMPS (HO3/8X300X5)
	X		NO CHECK VALVE
	A		1/4"NPT X 3/8"ID HOSEBARB CHECKVALVE ES-2029-1
	B		3/8"NPT X 3/8"ID HOSEBARB CHECKVALVE ES-2029
	C		1/2"NPT X 3/8"ID HOSEBARB CHECKVALVE ES-2004
	D		1/4"NPT X 3/8" TUBE COMPRESSION FITTING CHECKVALVE ES-
	E		3/8"NPT X 3/8" TUBE COMPRESSION FITTING CHECKVALVE ES-2075
	F		1/2"NPT X 3/8" TUBE COMPRESSION FITTING CHECKVALVE ES-2074
	X		NO FITTING
	A		1/4"NPT X 3/8"ID HOSEBARB (AD1/4N3/8H)
	B		3/8"NPT X 3/8"ID HOSEBARB (AD3/8N3/8H)
	C		1/2"NPT X 3/8"ID HOSEBARB (AD1/2N3/8H)
	D		1/4"R X 3/8"ID HOSEBARB (AD1/4R3/8H)
	E		3/8"R X 3/8"ID HOSEBARB (AD3/8R3/8H)
	F		1/2"R X 3/8"ID HOSEBARB (AD1/2R3/8H)
	X		NO FITTING
	A		1/4"NPT X 3/8"ID HOSEBARB (AD1/4N3/8H)
	B		3/8"NPT X 3/8"ID HOSEBARB (AD3/8N3/8H)
	C		1/2"NPT X 3/8"ID HOSEBARB (AD1/2N3/8H)
	D		1/4"R X 3/8"ID HOSEBARB (AD1/4R3/8H)
	E		3/8"R X 3/8"ID HOSEBARB (AD3/8R3/8H)
	F		1/2"R X 3/8"ID HOSEBARB (AD1/2R3/8H)

Manufacturer

ESKO INDUSTRIES LIMITED

Canada: #220-340 Brooksbank Avenue, North Vancouver BC V7J 2C1

USA: PO Box 5547, Bellingham WA 98227-5547

Toll free: 1-800-665-3756 (ESKO) Fax: (604) 984-6562

Internet: www.eskoindustries.com, Email: info@eskoindustries.com