

APPLICATIONS: Nitrogen, water and air purging monitoring

The ELF meter is an Esko purgometer with several new and improved features which make this meter easy and safe to install and service.

IMPROVED:

The modular design makes it easy and fast to change from one flow range to another by swapping out scale/float. Add on accessories such as a hand knob or constant flow regulator.

IMPROVED:

Optional hand knob can be added onto the existing valve.

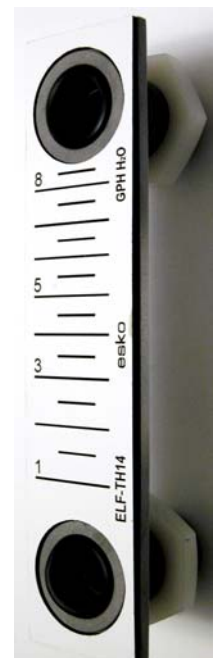


IMPROVED:

Valve has been designed for safety. Can be connected on inlet or outlet.

IMPROVED:

The detachable scale makes it easy to change flow rates. Some restrictions apply.



IMPROVED:

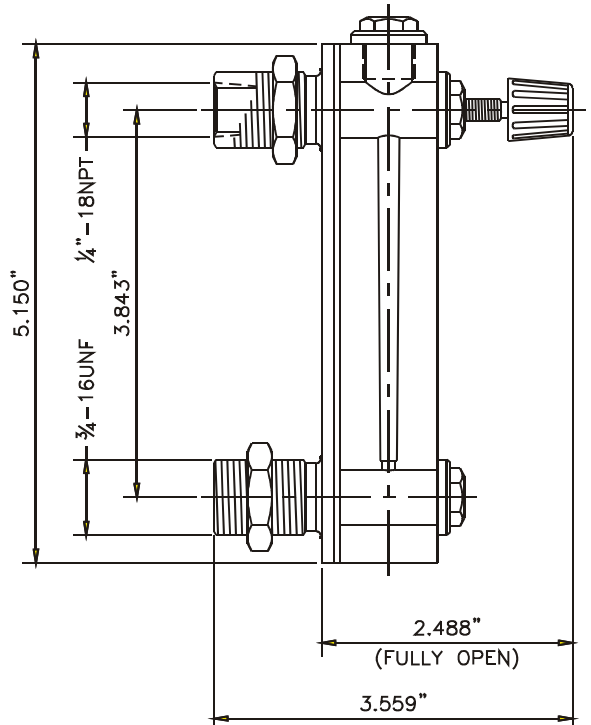
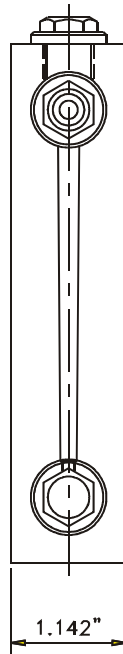
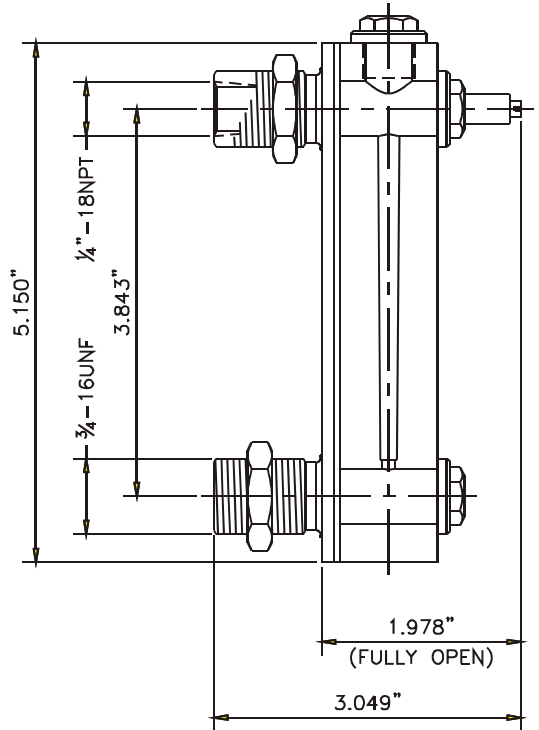
The ELF is built in North America using standard North American parts sizes.

Standard Specifications

	ELF-A	ELF-T
Body	Acrylic	Trogamid
Standard seals (option)	Nitrile (Viton, EPDM)	
Standard connections	1/4" NPT SS316	
Valve assembly	SS316	
Options	Hand knob, constant flow regulator	
Max. pressure	440 psi @ 85°F (30°C)	440 psi @ 85°F (30°C)
Max. temperature	167°F (75°C) @ 290 psi	158°F (70°C) @ 290 psi
Accuracy	±10% F.S. H2O @ 68°F (20°C)	±10% F.S. H2O @ 68°F (20°C)
Weight	0.75 lb (340 g)	0.6 lb (300 g)

Order Guide

ELF-					
					BODY MATERIAL
	A				Acrylic
	T				Trogamid
					FLOWRANGE
					WATER
					AIR
					USGPH LPM SCFH NLPM
	A				0.35 0.02 2.5 1.3
	B				0.6 0.04 3.5 1.8
	C				1.0 0.06 5.5 2.6
	D				1.5 0.1 8.5 4
	E				2.2 0.14 14 6
	F				4 0.25 18 9
	G				6 0.4 28 12
	H				9 0.55 40 18
	I				12 0.8 60 30
	J				20 1.2 100 45
	K				40 2.5 120 60
					SCALE
	1				USGPH Water
	2				SCFH Air, 14.7 psig(A) @ 70°F
	3				Dual scale USGPH Water/SCFH Air
	4				LPM Water
	5				NLPM Air, 101.3 kPa(A) @ 20°C
	6				Dual scale LPM Water/NLPM Air
	7				Percent scale 10-100%
	X				Special Scale *
					OPTIONS
	H				Hand adjusting knob
	R				BSP 1/4" connections
	V				Viton seals
	Y				EPDM seals



How to specify the model number (eg. ELF-AH1-H)

1. Select body material (ELF-A for acrylic)
2. Select flowrange/scale (H1 for water 9 USGPH)
3. Select options (H for handknob)

Special constructions

- * We also offer custom scales. For special scale, use the code ELF-X. We will assign a unique number at time of production, eg. ELF-E0100.

ESKO INDUSTRIES LIMITED

Canada: #220-340 Brooksbank Avenue, North Vancouver BC V7J 2C1
 USA: PO Box 5547, Bellingham WA 98227-5547
 Toll free: 1-800-665-3756 (ESKO) Fax: (604) 984-6562
 Internet: www.eskoindustries.com
 Email: info@eskoindustries.com