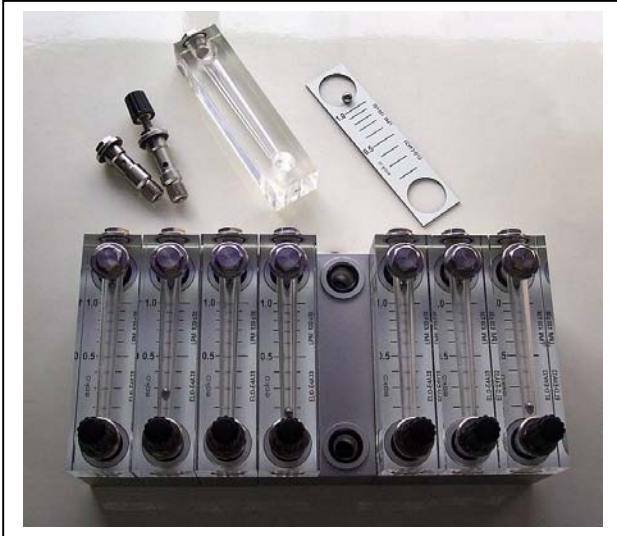


esko

Flowmeter Model ELO

The Esko ELO flowmeter has new and improved features which make it easy and safe to install and service.



Features:

- Flowrates up to 1.5 LPM for standard lubricating oils.
- Available as single units or multiple units.
- All scales can be unique.
- All flow tubes and scales can be serviced, replaced and/or cleaned individually as necessary.
- The flow control valves may be fitted with adjustment knobs.
- The ELO has EXACTLY the same sizes and locations of inlets and outlets as the obsolete F model.

Options:

- Hand adjusting knob
- BSP 1/4" connections
- Viton seals
- EPDM seals

All scales can have unique individual flow rates, and



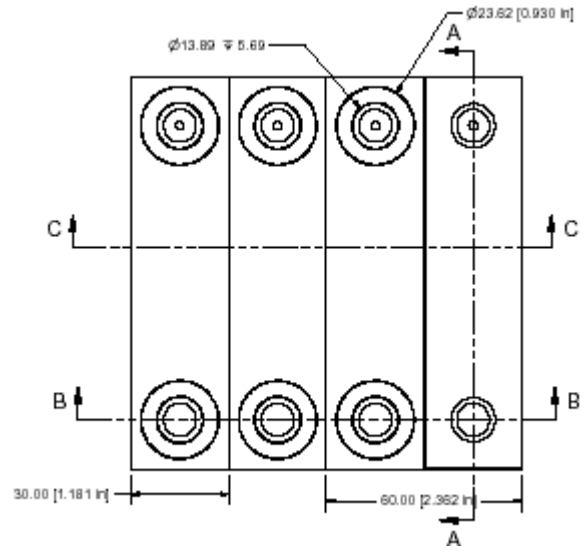
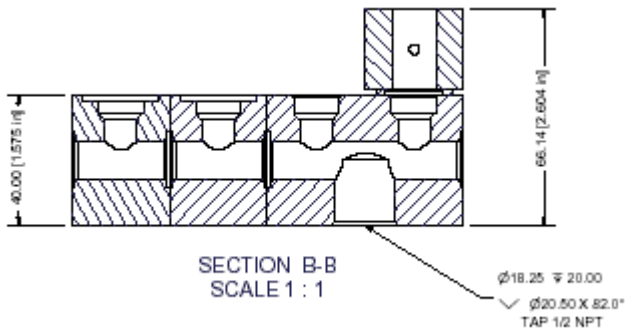
can be easily serviced or changed at any time.

Standard Specifications

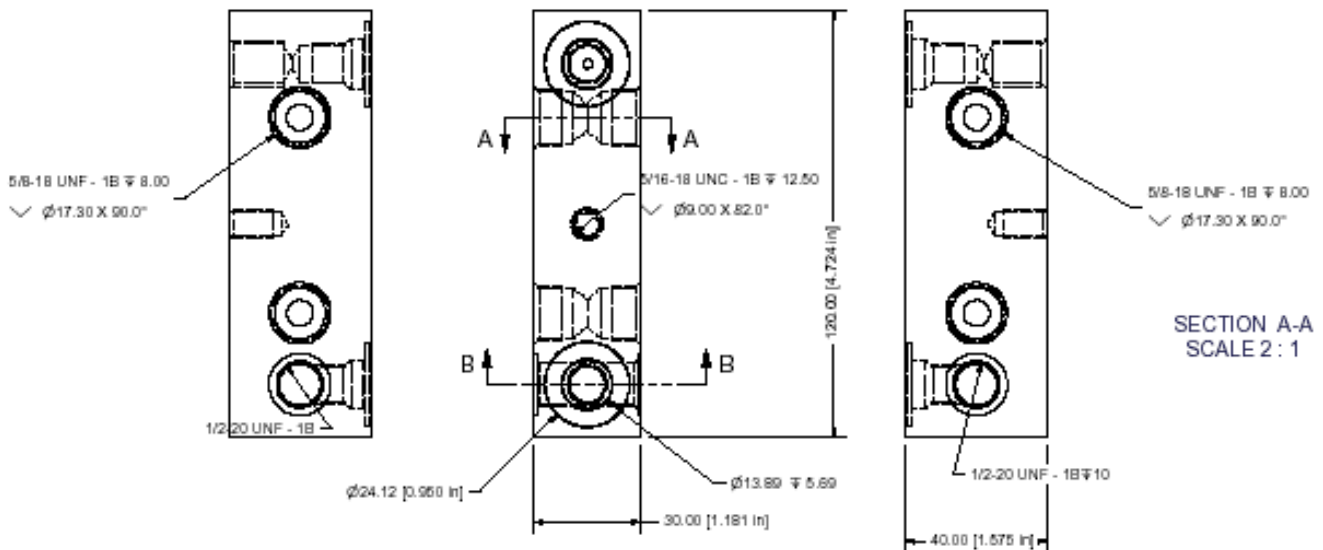
	ELO	
Body	Acrylic	Trogamid
Standard seals (option)	Nitrile (Viton, EPDM)	
Standard connections	1/4" NPT SS316	
Valve assembly	SS316	
Options	Hand knob, BSP 1/4"	
Max. pressure	440 psi @ 85°F (30°C)	440 psi @ 85°F (30°C)
Max. temperature	167°F (75°C) @ 290 psi	158°F (70°C) @ 290 psi
Accuracy	±10% F.S.	±10% F.S.

ELO	n	-	Exxxx
			NUMBER OF METERING TUBES
			Single tube model
	n		Multitube model (n = 2-12)
			FLOWRANGE
			xxxx = manufacturing number
			(Flow range and units)
			OPTIONS
			Hand adjusting knob
			BSP 1/4" connections
			Viton seals
			EPDM seals

Order Guide



Multitube Model



Single Tube Model

Manufacturer

ESKO INDUSTRIES LIMITED

Canada: 3480 Gardner Court, Burnaby, B.C. V5G 3K4
 USA: PO Box 5547, Bellingham WA 98227-5547
 Toll free: 1-800-665-3756 (ESKO) Fax: (604) 294-3727
 Internet: www.eskoindustries.com
 Email: info@eskoindustries.com